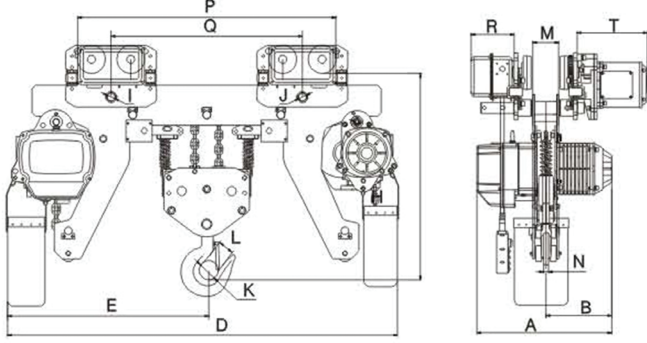




# YANDAN ASKILI MONORAY VİNÇLER LOW - HEADROOM ELECTRIC CHAIN HOISTS

## 500 kg. - 10 ton



### TEKNİK PARAMETRELER (TEK HIZLI ÇİFT HIZLI) / TECHNICAL PARAMETERS (SINGLE-DOUBLE SPEED)

| MODEL TYPE  | KAPASİTE CAPACITY | KALDIRMA HIZI LIFTING SPEED (m/min.) | KALDIRMA MOTORU / LIFTING MOTOR |                            |                   |                      | YÜRÜTME MOTORU / OPERATION MOTOR |                            |                              |                   | DONAM CHAIN FALL | ZİNCİR ÖLÇÜSÜ CHAIN SPECIFICATION | TEST YÜKÜ TEST LOAD | KİRİŞ ÖLÇÜSÜ I BEAM | EXTRA MT. WEIGHT ADDED 1 M. HIGHER |                      |         |      |
|-------------|-------------------|--------------------------------------|---------------------------------|----------------------------|-------------------|----------------------|----------------------------------|----------------------------|------------------------------|-------------------|------------------|-----------------------------------|---------------------|---------------------|------------------------------------|----------------------|---------|------|
|             |                   |                                      | GÜÇ POWER                       | DEVİR/ DAK. ROTATION SPEED | ENERJİ FAZ PHASES | VOLTAJ VOLTAGE (HZ.) | GÜÇ POWER                        | DEVİR/ DAK. ROTATION SPEED | YÜRÜTME HIZI OPERATION SPEED | ENERJİ FAZ PHASES |                  |                                   |                     |                     |                                    | VOLTAJ VOLTAGE (HZ.) |         |      |
| WBH-00501SL | 0,5               | 6.8                                  | 0.75                            | 1440                       | 3                 | 200-460              | 50/60                            | 0,4                        | 1440                         | 12,2              | 3                | 200-460                           | 50/60               | 1                   | Φ 6.3                              | 0.625                | 60-190  | 0.81 |
| WBH-01001SL | 1                 | 6.6                                  | 1.5                             | 1440                       | 3                 | 200-460              | 50/60                            | 0,4                        | 1440                         | 11/21             | 3                | 200-460                           | 50/60               | 1                   | Φ 7.1                              | 1.25                 | 60-190  | 1.1  |
| WBH-01501SL | 1.5               | 8.8                                  | 3.0                             | 1440                       | 3                 | 200-460              | 50/60                            | 0,4                        | 1440                         | 11/21             | 3                | 200-460                           | 50/60               | 1                   | Φ 10.0                             | 1.875                | 82-228  | 2.3  |
| WBH-02001SL | 2                 | 6.6                                  | 3.0                             | 1440                       | 3                 | 200-460              | 50/60                            | 0,4                        | 1440                         | 11/21             | 3                | 200-460                           | 50/60               | 1                   | Φ 10.0                             | 2.5                  | 82-228  | 2.3  |
| WBH-02002SL | 2                 | 3.3                                  | 1.5                             | 1440                       | 3                 | 200-460              | 50/60                            | 0,4                        | 1440                         | 11/21             | 3                | 200-460                           | 50/60               | 2                   | Φ 7.1                              | 2.5                  | 82-228  | 2.2  |
| WBH-03001SL | 3                 | 5.4                                  | 3.0                             | 1440                       | 3                 | 200-460              | 50/60                            | 0,75                       | 1440                         | 11/21             | 3                | 200-460                           | 50/60               | 1                   | Φ 11.2                             | 3.75                 | 82-228  | 2.8  |
| WBH-03002SL | 3                 | 4.4                                  | 3.0                             | 1440                       | 3                 | 200-460              | 50/60                            | 0,75                       | 1440                         | 11/21             | 3                | 200-460                           | 50/60               | 2                   | Φ 10.0                             | 3.75                 | 82-228  | 4.7  |
| WBH-05002SL | 5                 | 2.7                                  | 3.0                             | 1440                       | 3                 | 200-460              | 50/60                            | 0,75                       | 1440                         | 11/21             | 3                | 200-460                           | 50/60               | 2                   | Φ 11.2                             | 6.25                 | 100-256 | 5.6  |
| WBH-07503SL | 7.5               | 1.8                                  | 3.0                             | 1440                       | 3                 | 200-460              | 50/60                            | 0,75                       | 1440                         | 11/21             | 3                | 200-460                           | 50/60               | 3                   | Φ 11.2                             | 9.4                  | 100-256 | 8.4  |
| WBH-10004SL | 10                | 2.7                                  | 3.0X2                           | 1440                       | 3                 | 200-460              | 50/60                            | 0,75                       | 1440                         | 11/21             | 3                | 200-460                           | 50/60               | 4                   | Φ 11.2                             | 12.5                 | 120-294 | 11   |
| WBH-00501DL | 0.5               | 6.9/2.3                              | 0.8/0.3                         | 2890/980                   | 3                 | 200-460              | 50/60                            | 0,4                        | 1440                         | 11/21             | 3                | 200-460                           | 50/60               | 1                   | Φ 6.3                              | 0.625                | 60-190  | 0.81 |
| WBH-01001DL | 1                 | 6.9/2.3                              | 1.8/0.6                         | 2890/980                   | 3                 | 200-460              | 50/60                            | 0,4                        | 1440                         | 11/21             | 3                | 200-460                           | 50/60               | 1                   | Φ 7.1                              | 1.25                 | 60-190  | 1.1  |
| WBH-01501DL | 1.5               | 9.0/3.0                              | 3.0/1.0                         | 2890/980                   | 3                 | 200-460              | 50/60                            | 0,4                        | 1440                         | 11/21             | 3                | 200-460                           | 50/60               | 1                   | Φ 10.0                             | 1.875                | 82-228  | 2.3  |
| WBH-02001DL | 2                 | 6.9/2.3                              | 3.0/1.0                         | 2890/980                   | 3                 | 200-460              | 50/60                            | 0,4                        | 1440                         | 11/21             | 3                | 200-460                           | 50/60               | 1                   | Φ 10.0                             | 2.5                  | 82-228  | 2.3  |
| WBH-02002DL | 2                 | 3.4/1.1                              | 1.8/0.6                         | 2890/980                   | 3                 | 200-460              | 50/60                            | 0,4                        | 1440                         | 11/21             | 3                | 200-460                           | 50/60               | 2                   | Φ 7.1                              | 2.5                  | 82-228  | 2.2  |
| WBH-03001DL | 3                 | 5.4/1.8                              | 3.0/1.0                         | 2890/980                   | 3                 | 200-460              | 50/60                            | 0,75                       | 1440                         | 11/21             | 3                | 200-460                           | 50/60               | 1                   | Φ 11.2                             | 3.75                 | 82-228  | 2.8  |
| WBH-03002DL | 3                 | 4.5/1.5                              | 3.0/1.0                         | 2890/980                   | 3                 | 200-460              | 50/60                            | 0,75                       | 1440                         | 11/21             | 3                | 200-460                           | 50/60               | 2                   | Φ 10.0                             | 3.75                 | 82-228  | 4.7  |
| WBH-05002DL | 5                 | 2.7/0.9                              | 3.0/1.0                         | 2890/980                   | 3                 | 200-460              | 50/60                            | 0,75                       | 1440                         | 11/21             | 3                | 200-460                           | 50/60               | 2                   | Φ 11.2                             | 6.25                 | 100-256 | 5.6  |
| WBH-07503DL | 7.5               | 1.8/0.6                              | 3.0/1.0                         | 2890/980                   | 3                 | 200-460              | 50/60                            | 0,75                       | 1440                         | 11/21             | 3                | 200-460                           | 50/60               | 3                   | Φ 11.2                             | 9.4                  | 100-256 | 8.4  |
| WBH-10004DL | 10                | 2.7/0.9                              | 3.0X2/1.0X2                     | 2890/980                   | 3                 | 200-460              | 50/60                            | 0,75                       | 1440                         | 11/21             | 3                | 200-460                           | 50/60               | 4                   | Φ 11.2                             | 12.5                 | 120-294 | 11   |

### ÖLÇÜ BİLGİLERİ / SIZE SPECIFICATION

| MODEL TYPE  | H   | A   | B   | D    | E   | I    | J    | K    | L  | M  | N  | P    | Q   | R   | T   |
|-------------|-----|-----|-----|------|-----|------|------|------|----|----|----|------|-----|-----|-----|
| WBH-00501SL | 440 | 460 | 230 | /    | /   | Φ 31 | Φ 31 | Φ 35 | 25 | 52 | 17 | 585  | 400 | 142 | 231 |
| WBH-01001SL | 480 | 520 | 260 | /    | /   | Φ 31 | Φ 31 | Φ 40 | 31 | 56 | 22 | 630  | 445 | 142 | 231 |
| WBH-01501SL | 570 | 615 | 295 | /    | /   | Φ 31 | Φ 36 | Φ 47 | 38 | 66 | 30 | 720  | 505 | 142 | 231 |
| WBH-02001SL | 570 | 615 | 295 | /    | /   | Φ 31 | Φ 36 | Φ 47 | 38 | 66 | 30 | 720  | 505 | 142 | 231 |
| WBH-02002SL | 535 | 520 | 260 | /    | /   | Φ 31 | Φ 36 | Φ 47 | 38 | 56 | 30 | 665  | 445 | 142 | 231 |
| WBH-03001SL | 640 | 615 | 295 | /    | /   | Φ 36 | Φ 43 | Φ 58 | 47 | 73 | 36 | 775  | 526 | 142 | 231 |
| WBH-03002SL | 685 | 615 | 295 | /    | /   | Φ 36 | Φ 43 | Φ 58 | 47 | 66 | 36 | 750  | 503 | 142 | 231 |
| WBH-05002SL | 740 | 615 | 295 | /    | /   | Φ 43 | Φ 54 | Φ 60 | 48 | 73 | 43 | 825  | 541 | 142 | 231 |
| WBH-07503SL | 890 | 615 | 295 | /    | /   | Φ 43 | Φ 54 | Φ 85 | 80 | 73 | 55 | 1020 | 730 | 142 | 231 |
| WBH-10004SL | 880 | 630 | 315 | 1640 | 820 | Φ 54 | Φ 54 | Φ 85 | 80 | 85 | 55 | 926  | 630 | 142 | 231 |
| WBH-00501DL | 440 | 545 | 260 | /    | /   | Φ 31 | Φ 31 | Φ 35 | 25 | 52 | 17 | 585  | 400 | 142 | 231 |
| WBH-01001DL | 480 | 582 | 280 | /    | /   | Φ 31 | Φ 31 | Φ 40 | 31 | 56 | 22 | 630  | 445 | 142 | 231 |
| WBH-01501DL | 570 | 670 | 313 | /    | /   | Φ 31 | Φ 36 | Φ 47 | 38 | 66 | 30 | 720  | 505 | 142 | 231 |
| WBH-02001DL | 570 | 670 | 313 | /    | /   | Φ 31 | Φ 36 | Φ 47 | 38 | 66 | 30 | 720  | 505 | 142 | 231 |
| WBH-02002DL | 535 | 582 | 280 | /    | /   | Φ 31 | Φ 36 | Φ 47 | 38 | 56 | 30 | 665  | 445 | 142 | 231 |
| WBH-03001DL | 640 | 670 | 313 | /    | /   | Φ 36 | Φ 43 | Φ 58 | 47 | 73 | 36 | 775  | 526 | 142 | 231 |
| WBH-03002DL | 685 | 670 | 313 | /    | /   | Φ 36 | Φ 43 | Φ 58 | 47 | 66 | 36 | 750  | 503 | 142 | 231 |
| WBH-05002DL | 740 | 670 | 313 | /    | /   | Φ 43 | Φ 54 | Φ 60 | 48 | 73 | 43 | 825  | 541 | 142 | 231 |
| WBH-07503DL | 890 | 670 | 313 | /    | /   | Φ 43 | Φ 54 | Φ 85 | 80 | 73 | 55 | 1020 | 730 | 142 | 231 |
| WBH-10004DL | 880 | 670 | 388 | 1640 | 820 | Φ 54 | Φ 31 | Φ 85 | 80 | 85 | 55 | 926  | 630 | 142 | 231 |